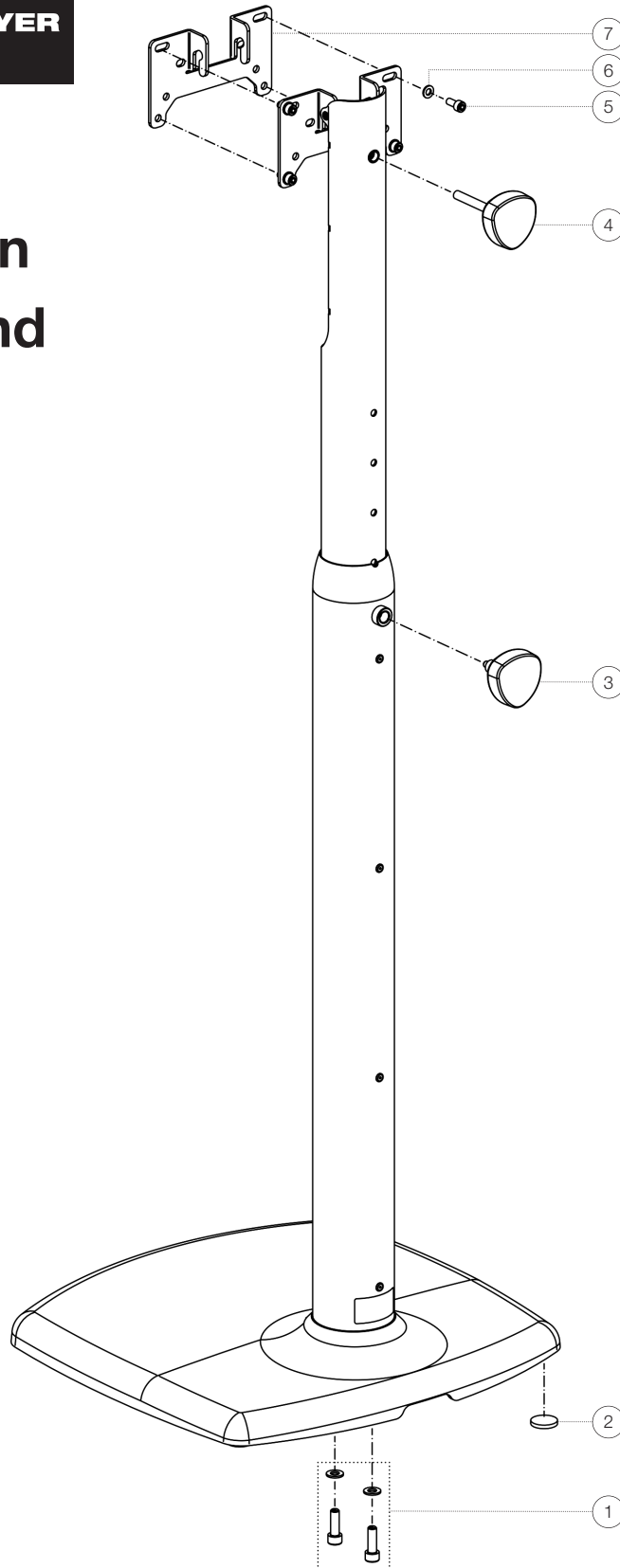


Spare parts list

# 26785 Design monitor stand

26785-018-56 - structured black

\*Rev02



Position	Description	Article No.	Quantity
1	Accessories bag	6-26790-1-00	1
2	Felt pad ø 24 x 3,5 mm	03-21-752-55	4
3	Spring-loaded clamping knob complete	6-18810-1-55	1
4	Clamping screw M8 x 56/73 mm	01-82-796-55	1
5	Hexagon socket head screw M6 x 14 mm	03-02-209-29	4
6	Washer ø 6,4 mm	03-11-405-29	4
7	Adapter plate	02-55-031-56	1