



H A Harman International Company

CK 31

Capsule Module

Description

The CK 31 is a cardioid modular screw-on capsule with smooth response from 50 Hz to 20 kHz. All 30-series capsules feature pre-polarized condenser elements with gold plated contacts to ensure reliable connections and trouble-free performance. The CK 31 capsule can be used with any of the "Discreet Acoustics Modular Series" installation modules. Each 30-series capsule has a dual layer windscreen; the dark gray outer layer disperses the impinging air stream while the inside layer smooths the air stream before it reaches the diaphragm. This two-stage process efficiently reduces wind noise while maintaining acoustic transparency.

Specifications

Transducer Principle:	Condenser prepolarized
Frequency Range:	50–20,000 Hz
Polar Pattern:	Cardioid
Sensitivity at 1,000 Hz:	20 mV/Pa = -34 dBV
Equivalent Noise Level:	< 21 dB-A
Sound Pressure Level for 1% THD:	125 dB
S/N Ratio (A-weighted)	> 73 dB
Electr. Impedance:	< 600 ohms
Power Requirement:	9 to 52 volts phantom power, requires DPA adapter (incl. in GN or HM modules)
Finish:	Dark gray matte
Size:	dia.: 0.5 in. (13.5 mm) length: 0.8 in. (20 mm)
Fitting Mounting Modules:	GN 15, GN 15 E, GN 15 ES GN 30, GN 30 E, GN 30 ES GN 50, GN 50 E, GN 50 ES GN 155 SET, HM 1000, LM 3, LM 3 L
Included Accessories:	W 30 Two stage foam windscreen



Features

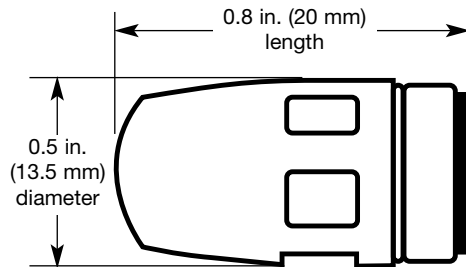
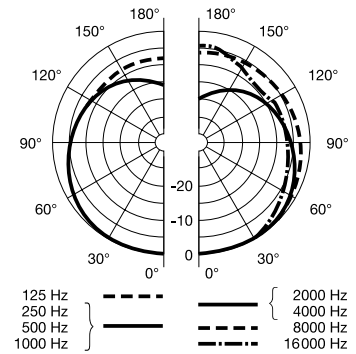
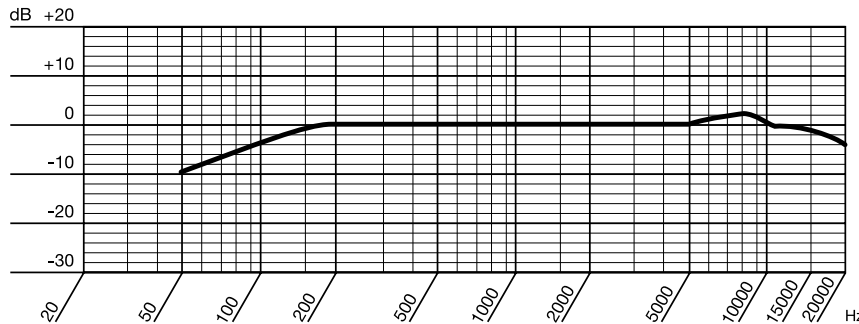
- Cardioid pickup pattern
- Wide frequency range
- Screw on capsule
- Gold plated contacts
- High performance windscreen

Architects and Engineers Specifications

The microphone shall be a screw-on cardioid capsule that mates with the AKG Discreet Acoustics Modular Series. The microphone shall accept phantom powering over the universal range from 9 to 52 volts dc. The response of the microphone shall be flat on-axis from 150 Hz to 10 kHz (± 2 dB), with a low frequency roll-off below 150 Hz that reaches -10 dB at 50 Hz, and response at 20 kHz that is no more than -4 dB, relative to the midband response. The microphone shall have a sensitivity

no less than 20 mV/Pa (-34 dBV), and the total harmonic distortion (THD) at an operating acoustical level of 125 dB shall be no greater than 1%. The electrical impedance of the microphone shall be no greater than 600 ohms. Electrical mating contacts for mounting the microphone shall be gold plated for positive, trouble free operation over long periods. The microphone shall be the AKG Acoustics Model CK 31.

Graphical Data



AKG is constantly improving and modifying its products, therefore, specifications are subject to change without notice.

Limited Warranty

Valid only in the United States. AKG Acoustics warrants AKG products against defects in material or workmanship for a period of two years from the date of original purchase for use, and agrees to repair or, at our option, replace any defective unit without charge for either parts or labor. Important: This warranty does not cover damage resulting from accident, misuse or abuse, lack of reasonable care, the affixing of any attachment not provided with the product, loss of parts or connecting the product to any but the specified receptacles. This warranty is void unless service or repairs are performed by an authorized service center. No responsibility is assumed for any special, incidental

or consequential damages. However, the limitation of any right or remedy shall not be effective where such is prohibited or restricted by law. Simply take or ship your AKG product prepaid to our service department. Be sure to include your sales slip as proof of purchase date. (We will not repair transit damage under the no-charge terms of this warranty.) Note: No other warranty, written or oral is authorized by AKG Acoustics, Inc. This warranty gives you specific legal rights, and you may also have other rights which vary from state to state. Some states do not allow the exclusion or limitation of incidental or consequential damages or limitation on how long an implied warranty lasts, so the above exclusions and limitation may not apply to you.

Microphones · Headphones · Wireless Microphones · Wireless Headphones · Headsets · Electroacoustical Components



H A Harman International Company

AKG Acoustics GmbH
Lemböckgasse 21-25, P.O.B. 158, A-1230
Vienna/AUSTRIA
Tel: (43 1) 86 654-0*, Fax: (43 1) 86 654-516
Internet: <http://www.ake.com>

AKG Acoustics; A Division of Harman Pro Germany
Bodenseestraße 228, D-81243 München/GERMANY
Tel: (089) 87 16-0, Fax: (089) 87 16-200

Arbiter Pro Audio
Wilberforce Road, London NW9 6AX/ENGLAND
Tel: (0181) 202 1199, Fax: (0181) 202 7076

AKG ACOUSTICS, U.S.
914 Airpark Center Drive
Nashville, TN 37217, U.S.A.
Tel: (615) 620-3800, Fax: (615) 620-3875

Studer Japan Ltd.
2-43-7, Uehara, Shibuya-ku, Tokyo 151-0064/JAPAN
Tel: (813) 3465-2211, Fax: (813) 3465-2214

Erikson Pro Audio
620 McCaffrey, St-Laurent, Quebec, H4T 1N1, CANADA
Tel: (514) 738-3000, Fax: (514) 737-5069
Internet: www.jam-ind.com/eriksonpro